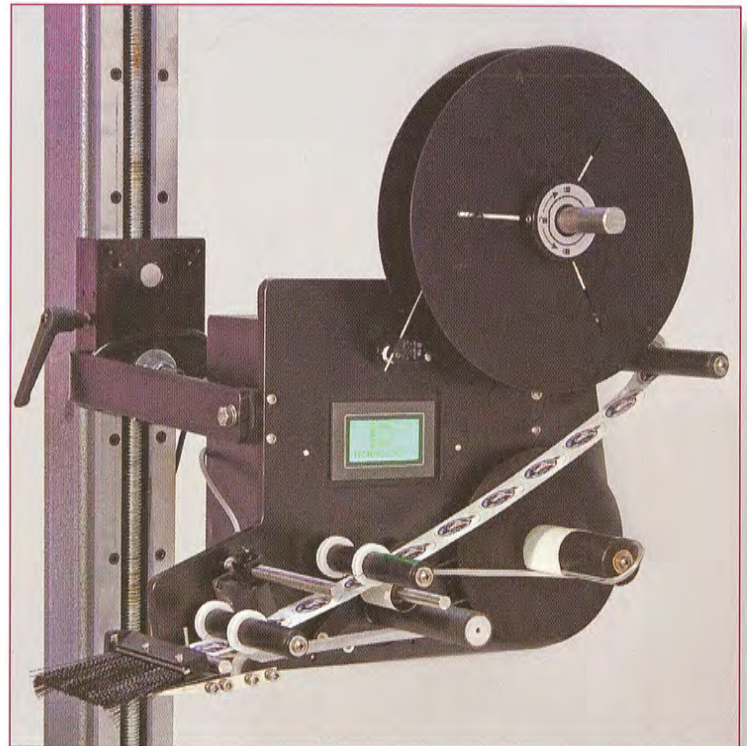




Model ST1000

Label Applicator



- Rugged, Modular, Simple
- Variable speed up to 1,000" per minute
- Up to 5" wide label
- Ambidextrous design for added flexibility
- Touch-screen display
- Top, bottom and side applications

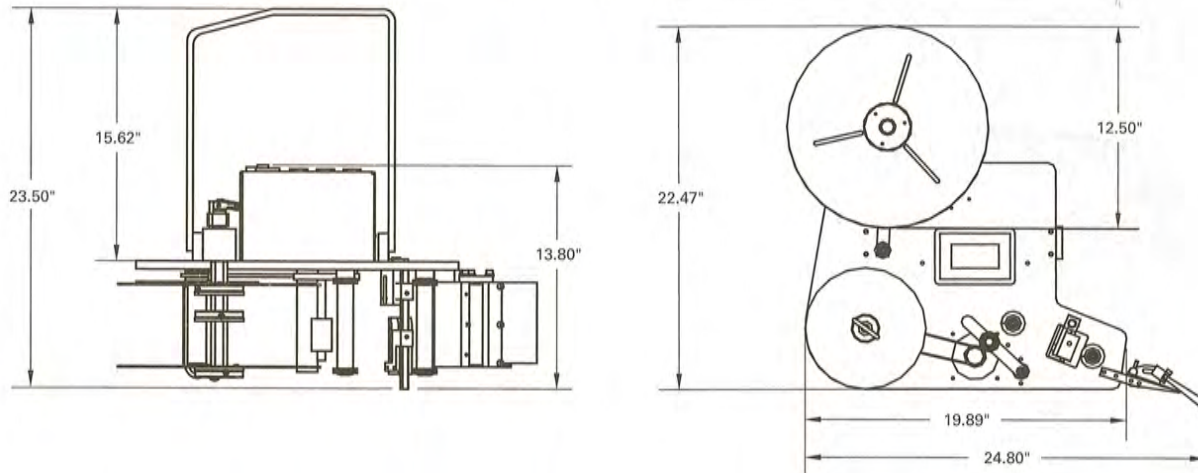
The ID Technology Model ST1000 is a full featured label applicator with variable speed motor that achieves speeds up to 1,000 inches of label web per minute. Like other ID Technology engineered equipment, the Model ST1000 has a modular, simple, user friendly design that sets this applicator above the competition. It's ideal for the application of an assortment of sizes and shapes of pressure sensitive labels to the top, bottom or side of a product.

While economical, the ST1000 is a rugged industrial-duty applicator. The anodized aluminum construction provides protection from corrosive environments. With the ambidextrous left-hand and right-hand design, added flexibility is obtained and allows for changeover in the field. The simplistic design results in minimal downtime, easy fault diagnosis as well as minimal parts inventory.

A brightly lit, touch-screen display offers complete easy user interface. A change in background color from green to orange to red gives quick, highly visible applicator status.

Model ST1000 Label Applicator

Right Hand Version Shown



Note: All photography and dimensional drawings depict representative examples of systems. Dimensions, options and controls vary by application.

Model ST1000 Label Applicator Specifications

Weight	45 lbs.
Labeling Rate	Up to 1,000 inches of label web per minute
Label Placement Accuracy	Approximately +/- 1/16" when labels are produced to specification and product handling is controlled
Label Size	5" x 12" Maximum .5" x .5" Minimum
Label Roll Size	12.5" (OD) x 3" (ID), Unpowered unwind
Electrical	115/230 VAC, 3 amp, 50-60 HZ
Label Sensing	Photoelectric
Motor	Stepper
Options	<i>T-Base Stand Low Label Supply/Fault 3 Stage Beacon Roller Attachment Extended Peel Tip</i>



2051 Franklin Dr.
Fort Worth, TX 76106
888.438.3242
www.idtechnology.com