



Blow Air Smarter



combined with the strong global foundation of ITW, Paxton Products is the preferred solution for drying and blow-off applications around the world.

Located in Cincinnati, Ohio, USA, Paxton Products is the industry leader in air delivery solutions, services and products. Paxton Products is part of the globally recognized Illinois Tool Works (ITW), a Fortune 200 company located in Chicago, Illinois. For over 50 years, Paxton Products has provided superior products, unmatched engineering expertise and an industry-best warranty with a 100% performance guarantee.

In 1957, Paxton Products introduced the racing industry's first high-performance supercharger, an air compression device that enhanced the speed and performance of the engine. In response to the 1970's energy crisis, Paxton pioneered the first centrifugal blower for commercial and industrial applications, utilizing the same high-performance, energy-efficient air delivery technology used in the supercharger. The blower for industrial applications was driven by an electric motor and pulley system, producing significant amounts of air flow with minimal energy usage.

Drying Solutions!



Performance Guarantee

Paxton Products, the leader in air delivery solutions, provides a 100% Performance Guarantee. Our Air Delivery System designs are approved by Paxton.

Paxton will either remedy or refund the price of the equipment.

Go to paxtonproducts.com

IT PERFORMS
AS DESIGNED OR
WE'LL MAKE IT RIGHT

Industry for more than
 50 years, Paxton's
 range of drying technology
 for food processing, bottling
 and canning facilities,
 and for pharmaceutical
 systems are custom
 designed for every
 package type, the line

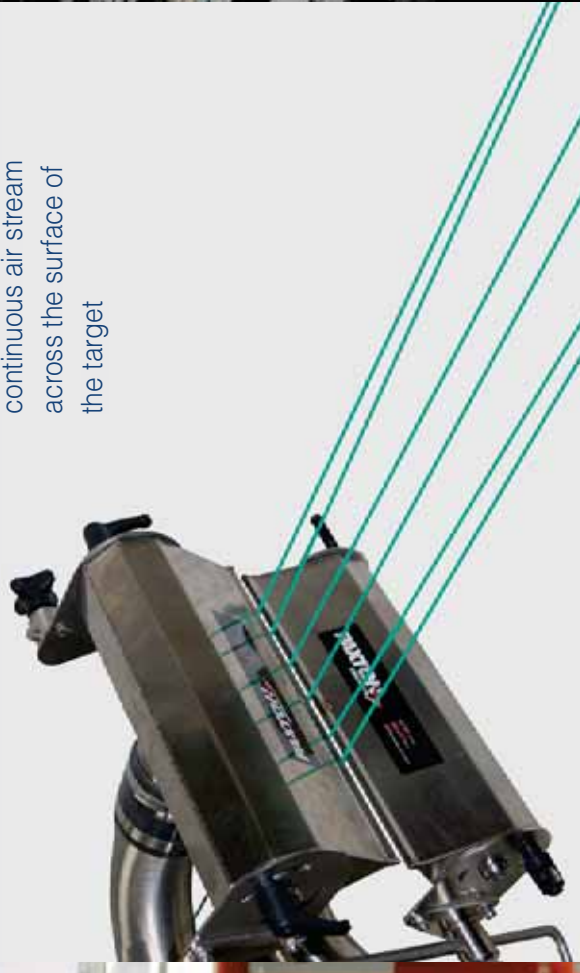


Fast, effective blow off is critical to maintaining production rates.
 Paxton Air Systems not only blow off fast, but enhance the quality by
 eliminating oils & scales associated with compressed air. And Paxton
 Air Systems use 1/5 the energy of compressed air. Highest quality.
 Lowest energy usage. Guaranteed.

Paxton Products used:

> AT-series and XT-series Paxton blowers are configured with
 air delivery devices to blow off and dry.

> Air knives provide a
 continuous air stream
 across the surface of
 the target



under the lids
 80%
 for date coding
 s are configured
 d dry throughout the
 applications where
 ed

After wash or rinse																			
Prior to labeling																			
Prior to ink jet coding																			
After wash or rinse																			
Prior to packaging or overpack																			
Prevent corrosion & bacteria																			
Dry under the cap or lid																			
Hot melt labeling																			
Pre-packaging																			

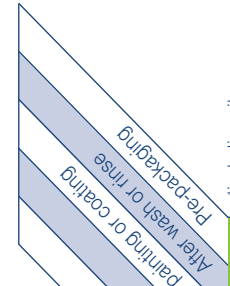


Extruded products

Tires	
Vinyl siding	
PVC & Plastic pipes	
Metal rods	
Wire and coated wire	

cleanest, driest air.
 on Air Systems improves
 ay. Paxton's PureAir
 ards; and with the wide
 Paxton, PureAir can
 ng standards.

room, ultra-clean or
 s are configured with
 d convey



¹Including oils, cleaning agents, sealants, rust

Whether cleaning, drying, or sanitizing, Paxton Air Systems packagers rely on Paxton Air Systems.

Benefits:

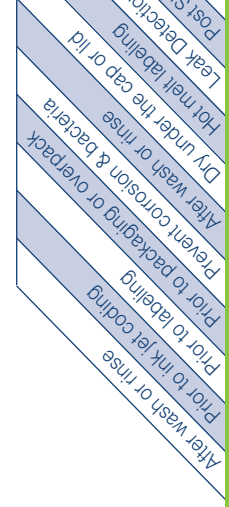
- Replaces compressed air
- Reduced heat compared to compressed air
- Better water removal from products
- More even coating of products
- Improved sanitation of products

Paxton Products used:

- AT-series and XT-series delivery devices to blow products
- PureAir systems are used for clean or HEPA-quality air
- PowerDry Systems dry products and bottles

Food, Food Processing, Food Packaging Applications

	Prior to ink jet coding	Prior to labeling or overpack	Prevent corrosion & bacteria	After wash or rinse	Hot melt labeling	Post Seal
Meats, Fish & Cheese	●	●	●	●	●	●
Produce	●	●	●	●	●	●
Frozen Foods	●	●	●	●	●	●
Coated foods (chocolate coated, sugar coated, etc)	●	●	●	●	●	●
Food molds	●	●	●	●	●	●
Packaging	●	●	●	●	●	●
Tin cans	●	●	●	●	●	●
Jars	●	●	●	●	●	●



off of your application: much water is - then the air requirements.

surface to 360 degree drying, Paxton guarantees it. And if you can't find the configuration that works for you, Paxton will design an air delivery device that will.

ices

applications
tance
to be dried
thrust as

ow off

of various
d surface

holes

mount the
nches
e



Performance Specifications:

Pressure, inches of water	Air flow, cfm, per nozzle
40	34
50	38
60	41
70	44
Pressure, mbar	Air flow, m ³ /hr, per nozzle
100	58
125	65

Air Knives

Available in both aluminum and 304 stainless steel, Paxton Air Knives are designed to give maximum efficiency for high velocity drying and blow off applications. The air knives feature a continuous, uninterrupted air slot design that gives uniform coverage over the target area, with a standard gap setting of 0.055 inches (1.4 mm). The rugged 304 SS construction of the stainless steel air knives stand up to the harsh detergents used in washdown facilities.

Performance Specifications:

Pressure, inches of water	Air flow, cfm, per inch of air knife
40	9.5
50	10.5
60	11.3
70	12.2
Pressure, mbar	Air flow, m ³ /hr, per cm of air knife
100	16.1
125	17.7





Inline Manifold

The Inline Manifold is ideal for drying the tops or bottoms of cans, jars, and other containers thoroughly, prior to date coding or other packaging operations. The Inline manifold has six nozzles focused on the top surface of the product and is available with either a polypropylene manifold or a 304 stainless steel manifold, both with Loc-Line nozzles.

The spacing of the nozzles powers a one-two-three thrust at the target.

Specifications:

- > Available in both polyethylene and stainless steel
- > 30 inches long x 3 inch OD (76.2 cm long x 7.62 cm OD)
- > Six in-line nozzles, positioned in sets of two
 - Loc-Line construction
 - 3.5 inch (8.9 cm) long
 - 1/2 inch (1.3 cm) ID

Uno Nozzle

The Uno nozzle provides targeted airflow for a small target. Designed to replace a single compressed air nozzle remote from a larger air delivery device, the Uno nozzle facilitates further reduction in compressed air usage.

Specifications:

- > Replaces compressed air nozzle
- > 2 inch (5.1 cm) OD inlet
- > 1/2 inch (1.3 cm) ID outlet, Loc-Line
- > PVC construction



Air Halo

The Air Halo provides targeted airflow for drying of many products. The Halo wraps with powerful products. The inches away multiple products.

Specifications:

- > 360 degree
- > Ideal for as beer k
- > Thrust up away from
- > Custom c and conv
- > Powerful
- > 0.5 inch
- > Coupled efficiency

re system
t of cans,
zzles of
spyder-
ach under
ific drying
ss and

ckage sizes
er the lid

hless steel

ets of two

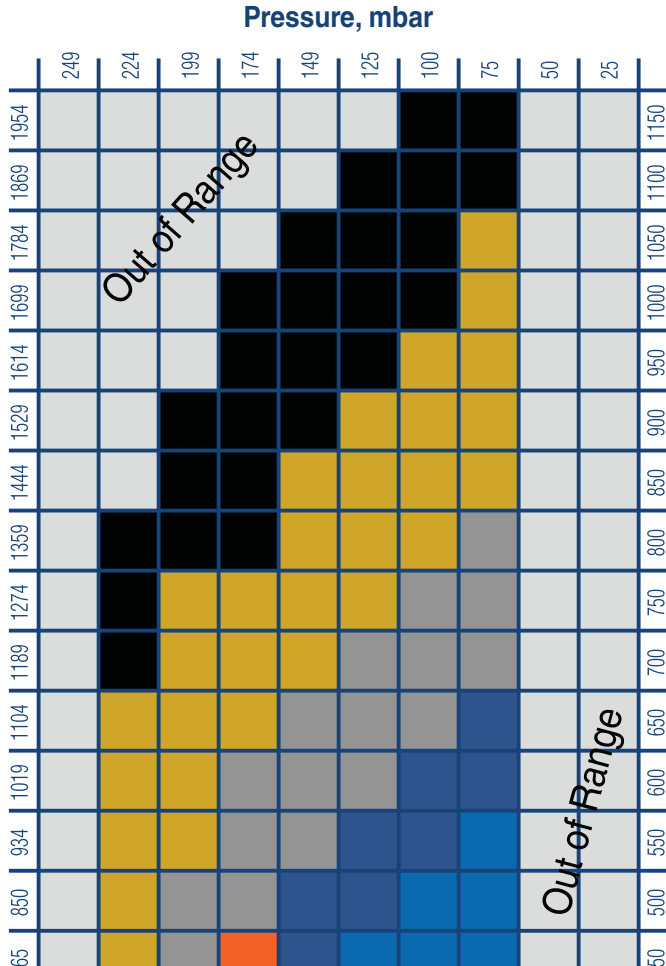
smaller motors of the X1-300 (3 hp) and XT-300 (3 hp)

> **AT-series** utilizes an automatic belt tensioner to optimize performance and is available at power levels ranging from 7.5 hp to 20 hp

Patton Centrifugal Blowers

Patton Motors

Flow rate cubic meters per minute



Flow rate, cubic feet per minute

7.5hp AT-700 10hp AT-800 15hp AT-1200



Specifications	XT-300			XT-500			AT-700		
	Power, hp	3	3	3	5	5	5	7.5	7.5
	kw	2.2	2.2	4	4	4	5.5	5.5	7.5
Maximum Efficiency	%	52	52	60	60	60	59	59	59
Maximum Output	cfm	300 @ 31" W/C	240 @ 41" W/C	375 @ 50" W/C	450 @ 60" W/C	600 @ 50" W/C			
	m³/hr	510 @ 77mbar	408 @ 102mbar	637 @ 125mbar	765 @ 149mbar	1019 @ 125mbar			
Weight	cfm	85	100	116	152	182			
	inches	3	3	3	3	3			
Outlet diameter	mm	76.2	76.2	76.2	76.2	76.2			

Advanced Belt Design

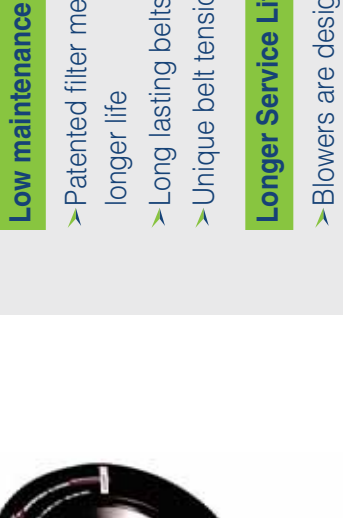
XT-series

auto-tensioning belts last 3x longer than standard polyester belts with no tensioner to replace

AT-series

neoprene plus belts last 2x longer than polyester belts automatic tensioner built in





Low maintenance

- > Patented filter media gives improved performance & longer life
- > Long lasting belts
- > Unique belt tensioning systems

Longer Service Life

- > Blowers are designed to use minimum belt tension for all pulley ratios, extending the life of the blower system

Stringent Quality Control Testing

- > Constructed of the highest quality parts held to the strictest standards, every Paxton blower undergoes comprehensive performance, vibration and noise testing before leaving the factory

Industry-best Blow-off & Drying Systems

- > Unmatched 100% performance guarantee in drying and blow-off applications
- > Wide range of air knives, air manifolds and nozzles to produce an airstream that fits a wide range of products sizes, shapes and line configurations
- > Shears off and atomizes moisture at production speeds of up to 1000 feet per minute (305 meters/minute)

Versatile Application Options

- > Paxton blowers can be configured for drying, fume extraction, vacuum hold down, conveying and more other applications
- > Optional features:
 - Coatings that allow the blower to be used in corrosive environments
 - Water-cooled bearing housings for process air temperatures up to 325 deg F (163°C)
 - Wash down capabilities

Custom Designed

- > All Paxton air delivery systems are custom designed, engineered and configured to your specific product

Highly efficient for lower energy costs

- > State of the art impeller design produces more airflow at lower blower speeds
- > Lowest belt tension yielding the highest efficiency belt per hp class
- > Improved belt design gives less friction
 - XT-series: auto-tensioning belt means low bearing loads
 - AT-series: belt contains Aramid to reduces stretch to less than 1%
- > Patented filter design reduces pressure drop and vibration

Highly reliable

- > High load capacity bearing at rated speeds for long bearing life. ABEC 7 Super Precision Angular Contact bearing made in the USA.
- > Stringent balancing, quality control and testing prior to leaving the factory
- > Unmatched 3 year warranty

Quiet Operation

- > Advanced engineering and precision manufacturing reduce vibration & noise.
- > All AT-series and XT-500 blowers are equipped with a silencer cartridge to reduce noise by 3 dBA
- > Sound levels can be further reduced with a blower and/or air delivery device enclosure

Space Saving Design

- > Versatile mounting and outlet positions for tight spaces. All Paxton blowers meet IEC and NEMA standards

Maximum Operating Temperatures

	°F	°C
Ambient Operating Temp.	105	41
Intake Air Temp., Standard configuration	120	49
Intake Air Temp., with liquid cooled bearing carrier	325	163

AT-Series

AT-series blowers are designed for high efficiency and low noise. The AT-series is the most compact and efficient centrifugal blower available. Available in 1/2 to 20 hp, the AT-series is the most efficient and quietest blower available.

The AT-series solutions for applications requiring more airflow, 20% lower noise, vibration, and downtime. The AT-series peak performance and flexibility patented filter and improved and available

to 20 hp, the AT-series is the most efficient and quietest blower available.

mind. With uniquely delivers clean dry air ating costs up to five systems.

- > Oil-free direct drive blower technology
- > Reduced energy consumption of up to 80%



Low Operating Costs:

The 20 hp motor in the PureAir Blower has much lower energy requirements than most traditional 60 – 100 hp compressors, resulting in five times lower operating costs.

Performance:

The PureAir System has a state of the art impeller design that achieves peak performance at lower operating speeds. A VFD enables precise control of airflow settings based on requirements.

Space Saving Design:

The low energy footprint of the Paxton PureAir coupled with its compact design makes it the preferred choice for most clean room applications.

Easy Installation:

The PureAir System's compact design means easy installation. Paxton Products also offers a full range of Zero Loss pipe adapters, elbows, hoses, connectors and other installation accessories.

Low Maintenance:

The oil-free direct drive technology eliminates belts, tensioning devices and complex pulley configurations, effectively lowering maintenance and repair costs.

Quick Return on Investment:

The PureAir System reduces operating costs up to five times those of compressed air systems, resulting in a return on investment in less than one year.

Low Noise Levels:

The PureAir blower is housed within a high-density polyethylene blower enclosure that is designed with unique noise-abating features, making it ideal for most sterile environments. Advanced engineering and precision manufacturing reduce vibration & noise on the PureAir blower.

Expert Engineering Advice:

Backed by over 50 years of engineering expertise in air management, Paxton application engineers will work closely with you to custom design a turnkey system

PureAir Specifications:

Direct drive blow beltless and oil-f

Motor
20 hp (15 kw), th

Impeller
Machined from 6

Efficiency
60%

Output Flow Ra
975 CFM @ 15 h
(0.46 m³/s @ 11

Temperature Ra
Up to 105°F amb

Blower Dimensi
40 in x 16 in x 40

Weight
220 lbs (100 kg)

Enclosed Mater
1/2 in (13 mm) th
304 stainless ste

Input Filter Elen
1





m

- > Pays for itself in energy savings in about a year
- > Eliminates moisture related packaging, labeling and coding issues
- > Adjusts to reach under lids, caps and crevices

- > Adapts easily for quick product & container size changes
- > Speeds conveyor lines up to 50% while reducing loss rates
- > Adapts to any conveyor with line speeds up to 500 cans or bottles per minute
- > Eliminates water spots and other moisture-related issues



Mounting Arm

304 stainless steel

The PowerDry System is a pre-configured air system that includes:

Air Manifold

The Air Manifold is available in various configurations, sizes and materials.

Inline Manifold

Six nozzles that can be added to the upper surface of the manifold.

Spyder Manifold

Four flexible "spyder" nozzles are added to the sides of the manifold. The spyder nozzles can be rotated to dry the top, sides and bottom of the product.



XT-300 Blower

3hp autofocal blower delivers accurate, consistent air volume & velocity



Polypropylene Blower Enclosure

moisture & scale

AIR Delivery Device Enclosures

Enclosures, made of 304 stainless steel, provide water, air and sound containment in your drying process. These enclosures keep the water contained inside the enclosure, then drained, eliminating mess on your factory floor – and eliminating any safety issues due to wet, slippery floors. Enclosures are custom designed for each application, ensuring maximum effectiveness. The unit is fitted to the individual line needs, and can be configured for all types of conveyor systems.

All Paxton enclosures are designed:

- > For ease of maintenance and durability
- > Easy to get into and out of
- > Water from blow off easily collects and drains, keeping floors dry
- > Stainless Steel doors with Lexan viewing windows
- > Minimal use of fasteners, and instead using welded connections
- > Minimal use of gasketed joints reduces maintenance needs
- > Durable 304 stainless steel to facilitate washdown
- > Swivel-style leveling feet with anchoring holes



Enclosure Type & Dimensions	40" x 40" x 16" (1016 x 1016 x 406 mm)		42" x 35" x 48" (1067 x 889 x 1219 mm)		42" x 35" x 28" (1067 x 889 x 711 mm)		22" x 26" x 48" (559 x 660 x 1219 mm)	
	PureAir Enclosure	AT-Series Enclosure	Low Profile Base Enclosure, AT Series	Small Footprint Enclosure	PowerDry Enclosure	PureAir Enclosure	AT-Series Enclosure	Low Profile Base Enclosure, AT Series
XT-300	●							
XT-500			●					
AT-700			●	●				
AT-800			●	●				
AT-1200			●	●				
PureAir Direct Drive						●	●	●
Polypropylene Cabinet						●	●	●
Top discharge						●	●	●
Bottom discharge						●	●	●
Side discharge						●	●	●
3 inch discharge						●	●	●
4 inch discharge						●	●	●
Clear access doors (2)						●	●	●
Positive seal, fast lock fasteners						●	●	●
Full weld construction base, 204 stainless steel						●	●	●



m
s,
e
sides.



Energy Savings

Using Compressed Air
 80-90% of the energy used to compress, at the site where it is used for compression, electric blowers, all the

Using other blower technologies

Heat generated during operation 20°F (1°C) or less about 50% less

Paxton centrifugal blowers use less air per kW of power and are more efficiently

Paxton Products are designed for your specific application. Air flow is directed when needed. On the tops, the side

- Paxton air systems lower energy costs by as much as 80% through reduced compressed air usage in bottling, canning and other packaging operations.
- > Pays for itself in energy savings in about a year
- > Removes debris and moisture effectively with high velocity air flows
- > Eliminates contamination from oils and scale by eliminating compressed air

Example Of Energy Savings

Compressed Air Drying System:

- > 3 fan nozzles
- > 75 cfm @ 80 psi
- > energy usage* = \$9,893 per year

Paxton Drying System:

- > 3hp centrifugal blower with 10 nozzles
- > 300 cfm @ 1 psi
- > Energy usage = \$1,063 per year

Total energy savings = \$8,830 per year

- > **Filters:** Paxton inlet filters employ Enduralast™ technology that traps more particulates and stand up in harsh environments, field tested to last 50% longer than other filters. Available in 1 and 10 micron sizes. Paxton can also provide outlet filtration meeting Nano and HEPA standards.

- > **Belts:** Paxton belts are designed to reduce bearing loads, lengthening blower head life.
 - o XT-series belts are auto-tensioning, requiring no mechanical tensioner
 - o AT-series belts are reinforced with Aramid cord to give strength and reduce stretch to less than 1%

- > **Tensioner:** Two-bearing design reduces vibration for long life and smooth operation. Tensioner is designed to provide years of reliable service; the spring should be replaced annually to maintain tension for optimum belt life and blower performance.

- > **Blower Heads:** Paxton replacement blower heads come with an industry best 3 year warranty. Replacement blower heads are fully tested and must pass stringent quality testing for balancing and vibration, ensuring the highest reliability.

Connector Sleeves



Flow Control Valves



Stainless Steel Reducers



Stainless Steel Elbows



Dividers



Zero Loss Adapters



ice life and



duce the target.

ers for use

g from Hose to

th clamps for 4 inch

ow: 3 inch and

ester with steel

struction: 2 way,

Our Industry Leading 3-Year Warranty

Paxton Products ("Paxton"), guarantees its standard XT-Series and AT-Series blowers, including the XT-300 PowerDry blower, against defects in the materials and workmanship for the 3-year Warranty Program period in accordance with the terms herein. The product must be installed and operated in accordance with the manufacturing specifications and the installation & maintenance instructions provided by Paxton using Paxton-provided replacement filters, belts and idler assemblies ("Maintenance Accessories") for the warranty to apply. Proof of purchase of Paxton Maintenance Accessories at the prescribed frequency is required. The PureAir System blower is warranted for one full year, under these same conditions. Motors are warranted through Paxton for the first 12 months under the terms provided by the respective motor manufacturer's warranty only.



FEATURES:

- > 3-Year Full Warranty Program for Paxton XT- and AT-Series Centrifugal Blowers, including PowerDry
- > One year Full Warranty for PureAir Blowers; 50% discount on all repairs of blower components during months 13 to 36.

Contact us for complete warranty information or any other information you might need.



Paxton Products / ITW Air Management

10125 Carver Road • Cincinnati, OH 45242

U.S. & Canada: **800-959-8884**

Worldwide: **513-891-7474**

FAX: **513.891.4092**

E-mail: **sales@paxtonproducts.com**

**BUILD ME A
SYSTEM**

get a quick quote



paxtonproducts.com