

# FOXJET®

AN ITW COMPANY



## ProSeries® *384e/768e*

High Resolution InkJet Printing



### Features and Benefits:



**Enhanced Print Capabilities** create darker and crisper high resolution print messages at faster speeds.

**Smart Clean System** features automated ink flush to remove environmental debris from nozzles, keeping print sharp and reducing maintenance downtime.

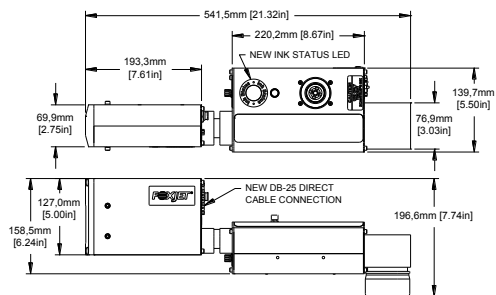
**Low Ink Level Indicator Light** visually notifies operators when ink needs to be refilled and waste bottle needs to be changed.

**Reliable Printheads** feature stainless steel faceplates and a repairable design, providing maximum total cost of ownership value.

**Longest Inkjet Warranty** in the industry – ask your distributor for details.

### Dimensions: 384e Printhead

*Enhanced for high speed barcode printing*

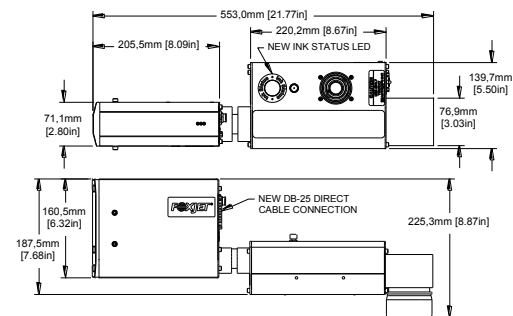


### Printhead Specifications:

<b>Print Height</b>	Image area up to 2"
<b>Print Orientation</b>	Standard – Horizontal, Angled Optional – Modular Top-Down
<b>Mounting Angle</b>	90°
<b>Orifices/Channels</b>	384/128
<b>Lines of Print</b>	Up to 21 lines
<b>Horizontal Resolution</b>	Selectable up to 300dpi
<b>Throw Distance</b>	Up to 1/2" (12.7mm) for Text Up to 1/4" (6.4mm) for Barcodes
<b>Operating Conditions</b>	Temperature: 50° - 104° F (10° - 40° C); Relative Humidity: 20% - 80% (non-condensing)
<b>Cable Lengths</b>	2', 10', and 25'
<b>Priming</b>	Automatic Priming System
<b>Ink Delivery</b>	Dual Feed System
<b>Sensors</b>	Float Switch Low Ink Sensor and Full Waste Bottle Sensor Tied to Indicator Light on Printhead
<b>Ink</b>	ScanTrue®II – Black, Red, Blue; ScanTrue®II Plus – Black
<b>Substrates</b>	Formulated for Porous Surfaces
<b>Applications</b>	Formulated for High Contrast Barcodes, Logos, Graphics and Text Messages
<b>Drying Time</b>	Less than 1/4 Second on Porous Surfaces

### Dimensions: 768e Printhead

*Enhanced for complex graphic printing*



### Printhead Specifications:

<b>Print Height</b>	Image area up to 4"
<b>Print Orientation</b>	Standard – Horizontal, Angled Optional – Modular Top-Down
<b>Mounting Angle</b>	90°
<b>Orifices/Channels</b>	768/256
<b>Lines of Print</b>	Up to 42 lines
<b>Horizontal Resolution</b>	Selectable up to 300dpi
<b>Throw Distance</b>	Up to 1/2" (12.7mm) for Text Up to 1/4" (6.4mm) for Barcodes
<b>Operating Conditions</b>	Temperature: 50° - 104° F (10° - 40° C); Relative Humidity: 20% - 80% (non-condensing)
<b>Cable Lengths</b>	2', 10', and 25'
<b>Priming</b>	Automatic Priming System
<b>Ink Delivery</b>	Dual Feed System
<b>Sensors</b>	Float Switch Low Ink Sensor and Full Waste Bottle Sensor Tied to Indicator Light on Printhead
<b>Ink</b>	ScanTrue®II – Black, Red, Blue; ScanTrue®II Plus – Black
<b>Substrates</b>	Formulated for Porous Surfaces
<b>Applications</b>	Formulated for High Contrast Barcodes, Logos, Graphics and Text Messages
<b>Drying Time</b>	Less than 1/4 Second on Porous Surfaces

videos

inkjet coders



product info

scan me